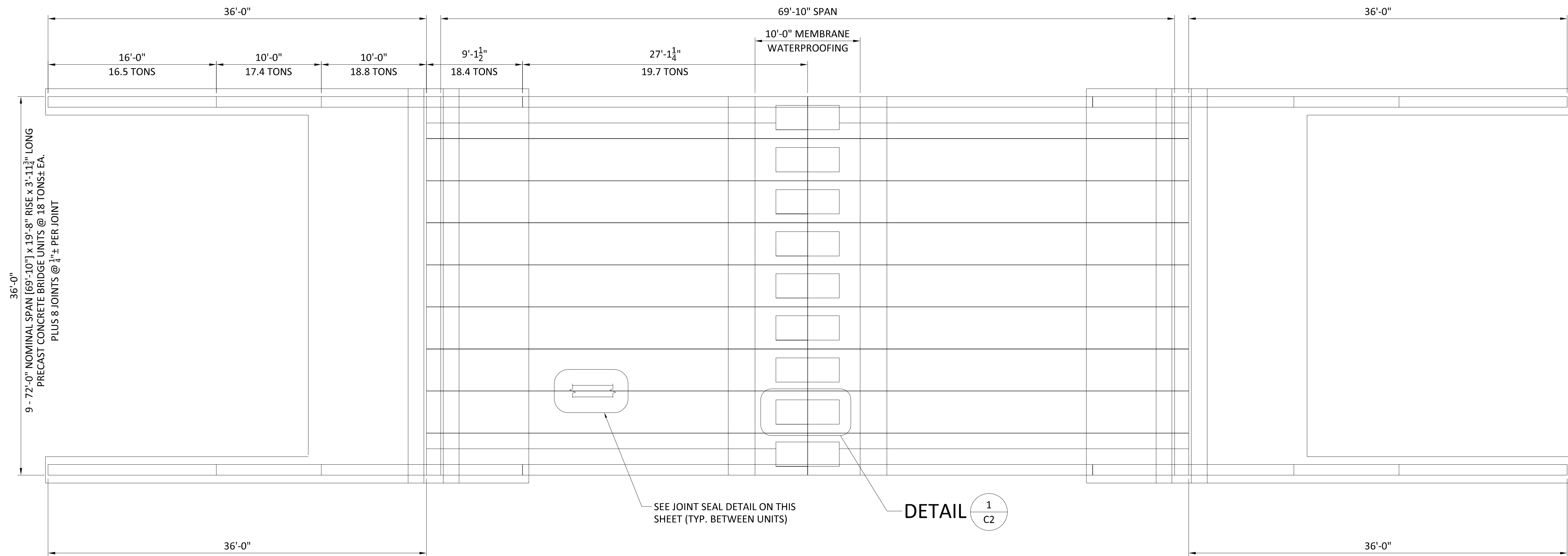


# BLACKBERRY FARM

## DENTON CREEK



### BRIDGE PLAN



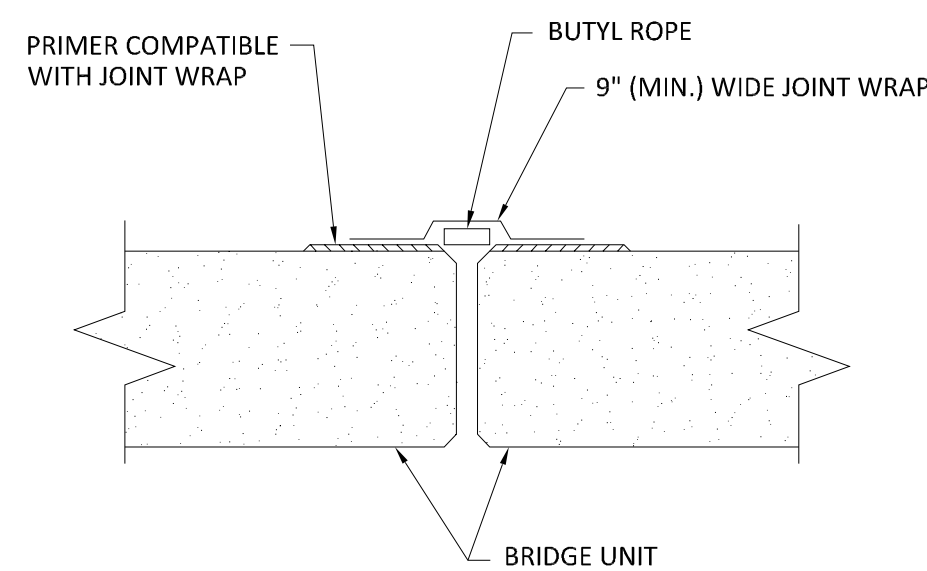
### DESIGN NOTES

- THIS STRUCTURE IS DESIGNED IN ACCORDANCE WITH THE AMERICAN ASSOCIATION OF STATE HIGHWAY AND TRANSPORTATION OFFICIALS "LRFD BRIDGE DESIGN SPECIFICATIONS", 4TH EDITION AND INTERIM SPECIFICATIONS TO DATE. DESIGN LOADS ARE AS FOLLOWS:  
BRIDGE UNITS: HL-93  
DESIGN FILL HEIGHT: 3'-0" MAX. LIVE LOAD  
HEADWALLS: EARTH PRESSURE AND IMPACT (TL-2)  
WINGWALLS: EARTH PRESSURE AND LIVE LOAD IMPACT (TL-2)  
NOTE: HEADWALLS AND WINGWALLS DESIGNED TO SUPPORT TXDOT TL-2 BARRIER.
- THE FOUNDATIONS FOR THIS PROJECT ARE DESIGNED IN ACCORDANCE WITH GEOTECHNICAL EXPLORATION REPORT PREPARED BY ALPHA TESTING, INC ON NOV. 19, 2012, SECTION 6.3, P.6

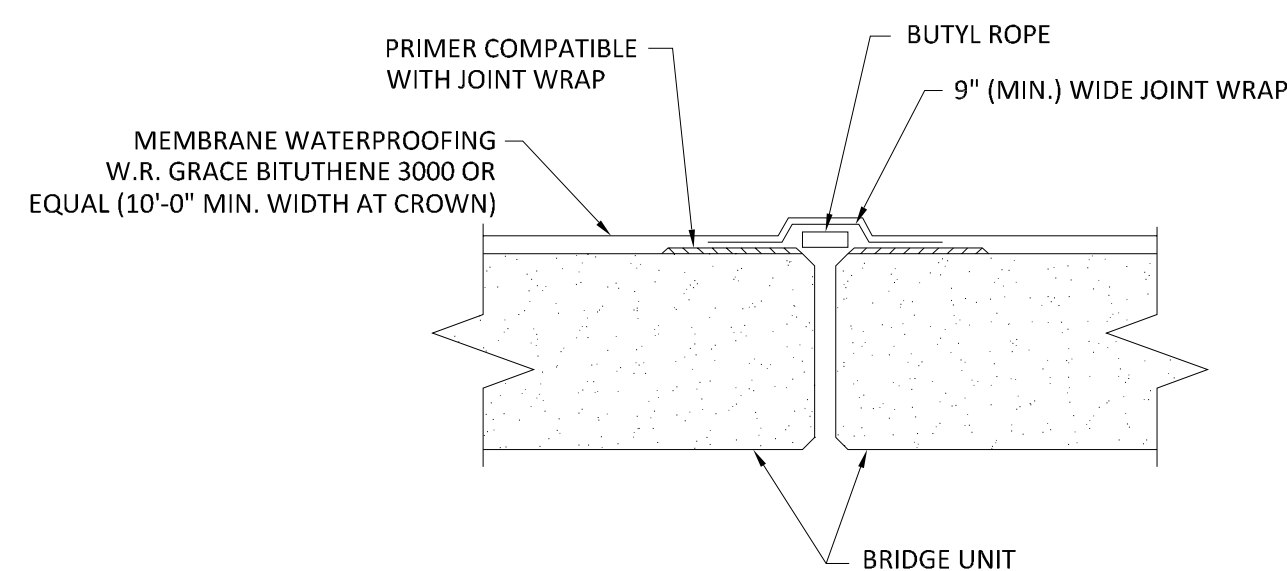
- CONFORMANCE TO SITE DRAWINGS, SPECIFICATIONS, AND EXISTING CONDITIONS, INCLUDING HYDRAULIC CAPACITY, SCOUR, GRADING AND SOIL CONDITIONS SHALL BE VERIFIED BY OTHERS.

### MATERIALS - FOUNDATION

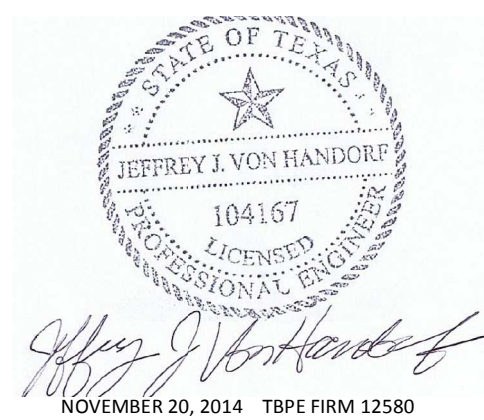
- CONCRETE SHALL HAVE A MINIMUM COMPRESSIVE STRENGTH OF 4,000 PSI
- REINFORCING STEEL SHALL CONFORM TO ASTM A615 OR A996 GRADE 60



JOINT SEAL DETAIL  
OUTSIDE 10' WIDTH AT CROWN  
NOT TO SCALE



JOINT SEAL DETAIL  
10' WIDTH AT CROWN, NOT TO SCALE



**FOR APPROVAL**

C1



DESIGNED BY:  
**PRETEK GROUP**  
P.O. BOX 751471  
DAYTON, OH 45459  
800.241.0925  
WWW.PRETEKGROUP.COM

DATE	DESCRIPTION	ENG
7		
6		
5		
4		
3		
2		
1		

LOCALE: COPPEL

### BLACKBERRY FARM BRIDGE

STATE: TX

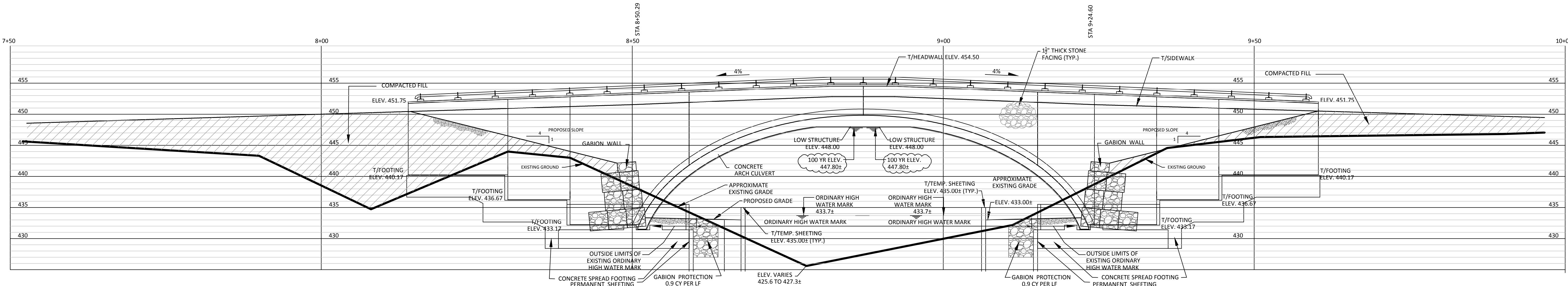
PROVIDED BY:  
**SFC BRIDGE SYSTEMS**  
A Division of **Speed Fab-Crete**  
1150 E. KENNEDALE PARKWAY  
KENNE DALE, TX 76060  
214.717.1773  
WWW.SPEEDFAB-CRETE.COM

JEFF HARWELL  
DIVISION MANAGER  
jharwell@sfcbridge.com  
**SFC BRIDGE SYSTEMS**  
A DIVISION OF SPEED FAB-CRETE CORP.  
P.O. BOX 15580  
FORT WORTH, TX 76119  
214.717.1773

PROJECT NUMBER: 13-112  
DATE: 8/19/13  
DESIGNED BY: JIV  
DRAWN BY: MGS  
CHECKED BY: TEN

# BLACKBERRY FARM, PHASE 2

## DENTON CREEK



ARCH CULVERT OVER DENTON CREEK  
TYPICAL ELEVATION

