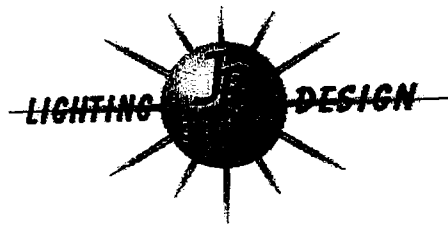


JB ELECTRIC LIGHTING & DESIGN
405 POWERHOUSE STREET #505
MCKINNEY, TX 75071
972-548-0082 FAX 844-481-0750



Quotation

Quote Number
Q2018446

Quote Date
 Dec 7, 2018

Page:
 1

Quoted to:

CITY OF COPPELL
 ACCOUNTS PAYABLE
 P.O. BOX 9478
 COPPELL, TX 75019

Ship to:

CITY OF COPPELL
 FREEPORT PARKWAY LIGHTING
 JAMIE BRIERTON
 COPPELL, TX 75019

Customer ID	Good Thru	Payment Terms	Sales Rep
CITY OF COPPELL	1/6/19	Net 30 Days	JACKIE L WHITE

Quantity	Item	Description	Unit Price	Extension
40	WJMCUPOLE	REVISED FOR NOVEMBER RENEWAL RT8501135-BK/G-NC-2/180/8'BA/TEXAS /TB2-17	2,357.00	94,280.00
2	WJMCUPOLE	RT8501135-BK/G-NC-1/180/8'BA/TEXAS /TB1-17 CUSTOM POLE PRICING INCLUDES ANCHOR BOLTS SHIPPING FEES ONLY APPLY TO PRESHIPMENT OF ANCHOR BOLTS SPECIFICATIONS PER BID#Q-1014-03 CONTRACT THROUGH 11-12-2019	2,097.00	4,194.00

Jackie White

Thank You!
HUB Certified
Jackie White

QUOTE DOES NOT INCLUDE SPECIAL INSURANCE

JLOPEZWHITE@JBELD.COM

Subtotal	98,474.00
Sales Tax	
Total	98,474.00



GLENN HEGAR TEXAS COMPTROLLER OF PUBLIC ACCOUNTS

The Texas Comptroller of Public Accounts (CPA) administers the Statewide Historically Underutilized Business (HUB) Program for the State of Texas, which includes certifying minority, woman, and service disabled veteran-owned businesses as HUBs and facilitates the use of HUBs in state procurement and provides them with information on the state's procurement process.

We are pleased to inform you that your application for certification/re-certification as a HUB has been approved. Your company's profile is listed in the State of Texas HUB Directory and may be viewed online at <https://mycpa.cpa.state.tx.us/tpasscmbsearch/index.jsp>. Provided that your company continues to meet HUB eligibility requirements, the attached HUB certificate is valid for the time period specified.

You must notify the HUB Program in writing of any changes affecting your company's compliance with the HUB eligibility requirements, including changes in ownership, day-to-day management, control and/or principal place of business. *Note: Any changes made to your company's information may require the HUB Program to re-evaluate your company's eligibility.*

Please visit our website at <http://comptroller.texas.gov/procurement/prog/hub/> and reference our publications (i.e. Grow Your Business pamphlet, HUB Brochure and Vendor Guide) providing additional information on state procurement resources that can increase your company's chances of doing business with the state.

Thank you for your participation in the HUB Program! If you have any questions, you may contact a HUB Program representative at 512-463-5872 or toll-free in Texas at 1-888-863-5881.

Texas Historically Underutilized Business (HUB) Certificate



Certificate/VID Number: 1261779332300
File/Vendor Number: 486551
Approval Date: 30-OCT-2018
Scheduled Expiration Date: 30-OCT-2022

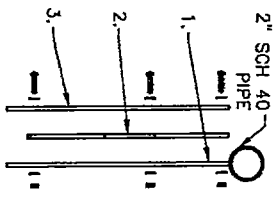
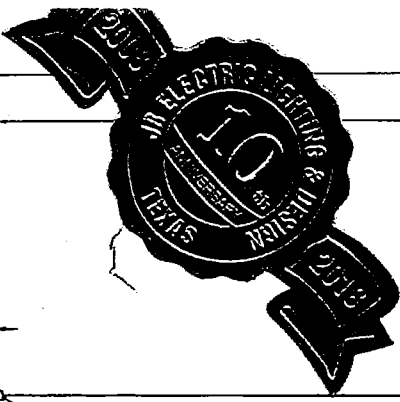
The Texas Comptroller of Public Accounts (CPA), hereby certifies that

J B ELECTRIC LIGHTING & DESIGN

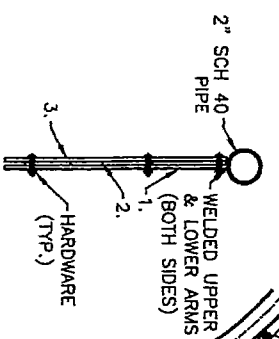
has successfully met the established requirements of the State of Texas Historically Underutilized Business (HUB) Program to be recognized as a HUB. This certificate printed 02-NOV-2018, supersedes any registration and certificate previously issued by the HUB Program. If there are any changes regarding the information (i.e., business structure, ownership, day-to-day management, operational control, business location) provided in the submission of the business' application for registration/certification as a HUB, you must immediately (within 30 days of such changes) notify the HUB Program in writing. The CPA reserves the right to conduct a compliance review at any time to confirm HUB eligibility. HUB certification may be suspended or revoked upon findings of ineligibility.

Laura Cagle-Hinojosa, Statewide HUB Program Manager
Statewide Support Services Division

Note: In order for State agencies and institutions of higher education (universities) to be credited for utilizing this business as a HUB, they must award payment under the Certificate/VID Number identified above. Agencies, universities and prime contractors are encouraged to verify the company's HUB certification prior to issuing a notice of award by accessing the Internet (<https://mycpa.cpa.state.tx.us/tpasscmbsearch/index.jsp>) or by contacting the HUB Program at 512-463-5872 or toll-free in Texas at 1-888-863-5881.



EXPLODED SECTION A-A

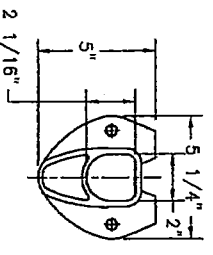
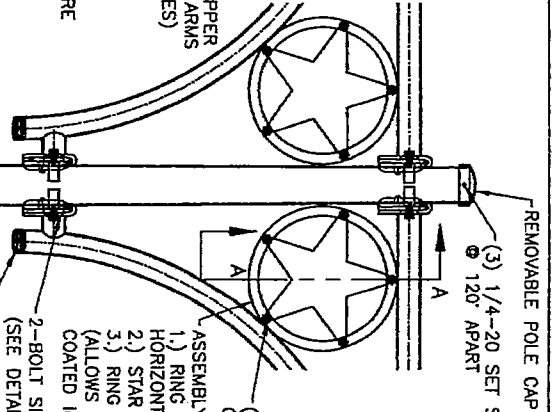


SECTION A-A

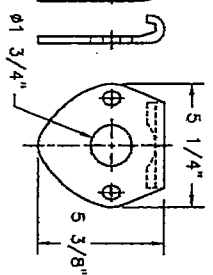
ARM ATTACHMENT DETAIL

REMOVABLE END CAP (TYP.)

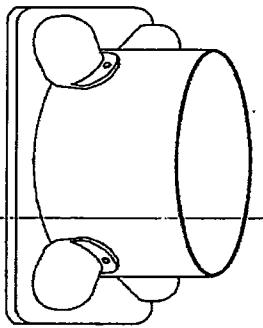
MATERIAL SPECIFICATIONS:
 POLE SHAFT: COMM. GRADE STEEL, 55 K.S.I. MIN. YIELD.
 BASE PLATE: ASTM A36, 36 K.S.I. MIN. YIELD.
 ALUMINUM T-BASE: 6063-T6 ALLOY
 ANCHOR BOLT: ASTM F1554, 55 K.S.I. MIN. YIELD.
 ENTIRE STANDARD TO BE HOT DIP GALVANIZED IN ACCORDANCE WITH ASTM A123. [G]
 ENTIRE STANDARD TO HAVE A THERMOSET POLYESTER POWDER COATING IN ACCORDANCE WITH WJM COATING STANDARDS.
 FINISH COLOR TO BE BLACK OVER GALV. [BK/G]



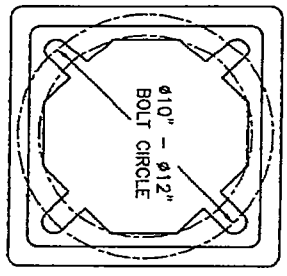
2-BOLT SIMPLEX DETAIL



NUT COVER DETAIL



1B2-17 DETAIL



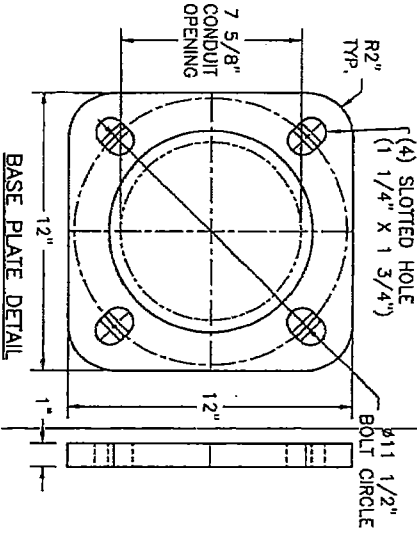
RD. TAPERED SHAFT (8.5" X 3.6" X 35.0', 11 GA.) [RTB501135]

NUT COVER [NC] (SEE DETAIL)

(4) 1-8 X 4" A325 CONNECTOR BOLT W/ HARDWARE

17" ALUMINUM TRANSFORMER BASE [TB217] (SEE DETAIL)

EXISTING ANCHOR BOLTS



FOR APPROVAL ONLY
 PRINT NAME: *George Haskells*
 SIGNATURE: _____
 DATE: *1-5-15*

REQUIRED WORK ORDER

NO.	DESCRIPTION	QTY.	UNIT	DATE
2	ADDED SIMPLEX SIG & TB2 DETAILS. REMOVED AFS 13926	MI		12/19/2014
1	ADDED EXTRA ARM DETAIL	13886	JU	12/11/2014
		13669	BT	



CITY OF COPPELL
 RTB501135-BK/G-NC-TB217
 W/ (2) BFT/TX ARMS

DESIGNED BY	DATE	DRAWING NO.	REV.
JU	10/17/2014	110-W200-88	2
MI	12/15/2014		