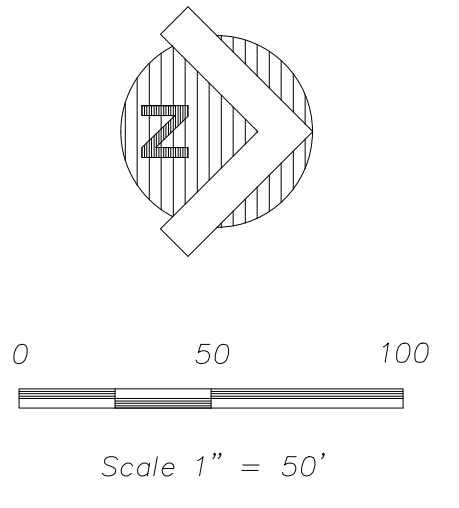
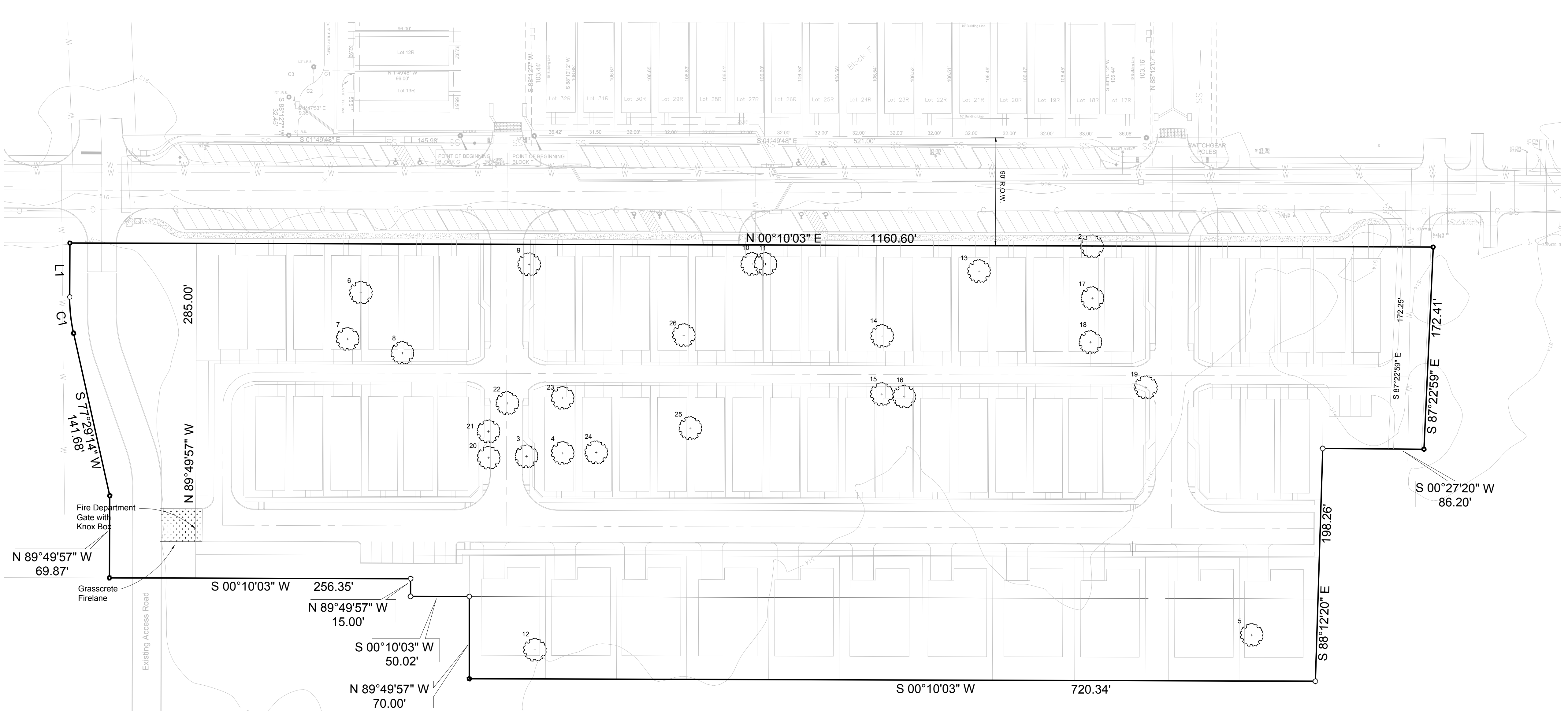


FILE LOCATION: C:\Users\Public\Public\Projects\Bobby\Coppel\Coppel2\Coppel2\Coppel2\Site Plan Revised.dwg, SAVED: 5/6/2013 4:25 PM, PLOTTED: 5/6/2013 4:26 PM



EXISTING TREE LIST					
TREE TAG NUMBER	COMMON NAME	GENUS SPECIES	DIAMETER DBH	CONDITION	STATUS
2	American Elm	Ulmus americana	32	Fair	Remain
3	Pecan	Carya illinoensis	24	Good	Remove
4	Pecan	Carya illinoensis	18	Good	Remove
5	Sugarberry	Celtis laevigata	9	Good	Remove
6	American Elm	Ulmus americana	20	Good	Remove
7	Red Cedar	Juniperus virginiana	21	Good	Remove
8	American Elm	Ulmus americana	24	Poor	Remove
9	Pecan	Carya illinoensis	40	Good	Remain
10	American Elm	Ulmus americana	31	Poor	Remove
11	American Elm	Ulmus americana	23	Good	Remove
12	Red Cedar	Juniperus virginiana	12	Good	Remove
13	Pine	Pinus taeda	25	Good	Remove
14	Pecan	Carya illinoensis	16	Good	Remove
15	Pecan	Carya illinoensis	12	Good	Remove
16	Pecan	Carya illinoensis	20	Good	Remove
17	American Elm	Ulmus americana	21	Fair	Remove
18	American Elm	Ulmus americana	25	Fair	Remove
19	American Elm	Ulmus americana	19	Good	Remove
20	Pecan	Carya illinoensis	26	Good	Remove
21	Pecan	Carya illinoensis	18	Good	Remove
22	Pecan	Carya illinoensis	25	Good	Remove
23	Pecan	Carya illinoensis	20	Good	Remove
24	Pecan	Carya illinoensis	25	Good	Remove
25	Pecan	Carya illinoensis	20	Good	Remove
26	Pecan	Carya illinoensis	28	Fair	Remove

TOTAL PROTECTED TREES ON SITE	554 IN.
TOTAL POOR QUALITY PROTECTED TREES	55 IN.
TOTAL HEALTHY PROTECTED TREES ON SITE	499 IN.
TOTAL PROTECTED TREES REMOVED	427 IN.
TOTAL PROTECTED TREES PRESERVED	72 IN.
REQUIRED MITIGATION	427 IN.
PRESERVATION CREDIT (50%)	213 IN.
REQUIRED MITIGATION (427 - 213)	214 IN.
TREE REPLACEMENT CREDITS	237 IN.
64 LOTS @ 3" = 192 IN.	
COMMON AREA = 45 IN.	
NET CALIPER INCHES TO MITIGATE	-23 IN.

As it is the desire of the City to develop a more dense product on this property to be consistent with the Urban environment for Old Town Coppel, we would also request a variance as to the Tree ordinance as follows: Include replacement trees installed on each developed residential lot; exclude all unprotected trees regardless of caliper; provide a tree replacement credit to reduce required reparation by 50% pursuant to city managers determination under section 12-34-2-13 (B) and 12-34-2-13 (A) (3), the key issue being section 12-34-2-13 (B) (3) (a) regarding intensity/use of the development.

FAX (972) 717-2176
IRVING, TEXAS 75062

GLENN ENGINEERING
TEXAS REGISTRATION NUMBER: F-303
PHONE (972) 717-5151
105 DECKER COURT, SUITE 910

For each project, the engineer on this document was authorized by Mike Glenn, P.E. 035059, on May 01, 2013.

PD-108R11-H

OLD TOWN (MAIN STREET)
PHASE II
COPPELL, TEXAS

TREE SURVEY

Revisions:	
Issue Dates:	
Review:	
Permit:	
Construction:	
Scale:	
Drawn By:	KKE
Checked By:	CMG
Project No.:	

Sheet **T1**