

N1

FRONT VIEW
SCALE: 1/2"=1'

Exhibit "E"
Page 1 of 4
QTY: 1
54.6 FT2

ELECTRICAL INFORMATION

This Sign To Be Constructed And Installed
According To Article Code 250 & 600 Of Nec.
Grounding And Bonding Of Sign As Per Nec 250

Power Supply Info.

(qty) Sloan power supply
Variable Input: 100VAC~277VAC 50-60 Hz Max 0.80A
Output: 60W @ 12VDC, Class 2

LED Info.

(qty) sloan led (red)
.30 watts / module (totals)



COLOR CALLOUTS

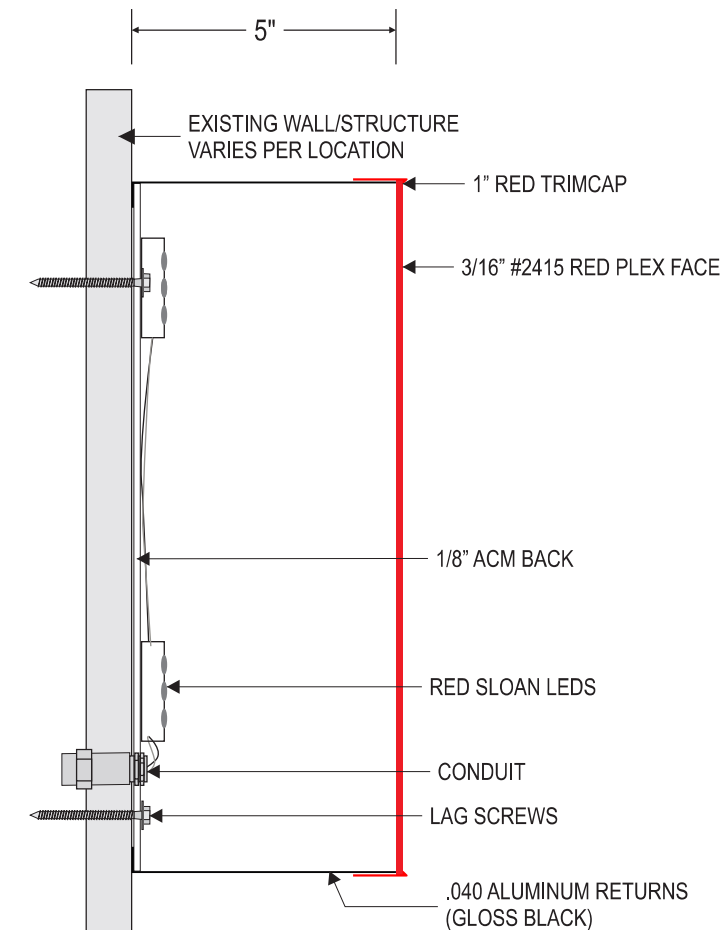
- a #2415 RED (PMS 186)
- b GLOSS BLACK



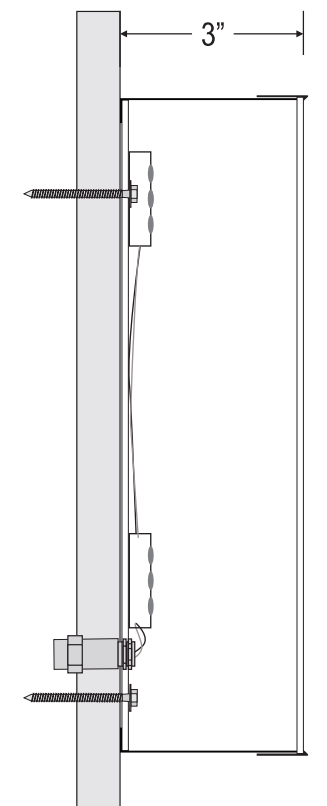
ELEVATION VIEW
SCALE: 1/2"=1'

SIDE VIEW
SCALE: 1/2"=1'

44.50 SF
+ 5.33 SF
= 49.83 SF

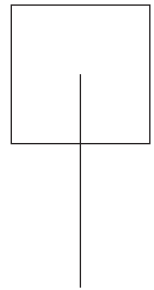


TIM HORTONS
SIDE SECTION VIEW
SCALE: NTS



COFFEE & BAKERY
SIDE SECTION VIEW
SCALE: NTS

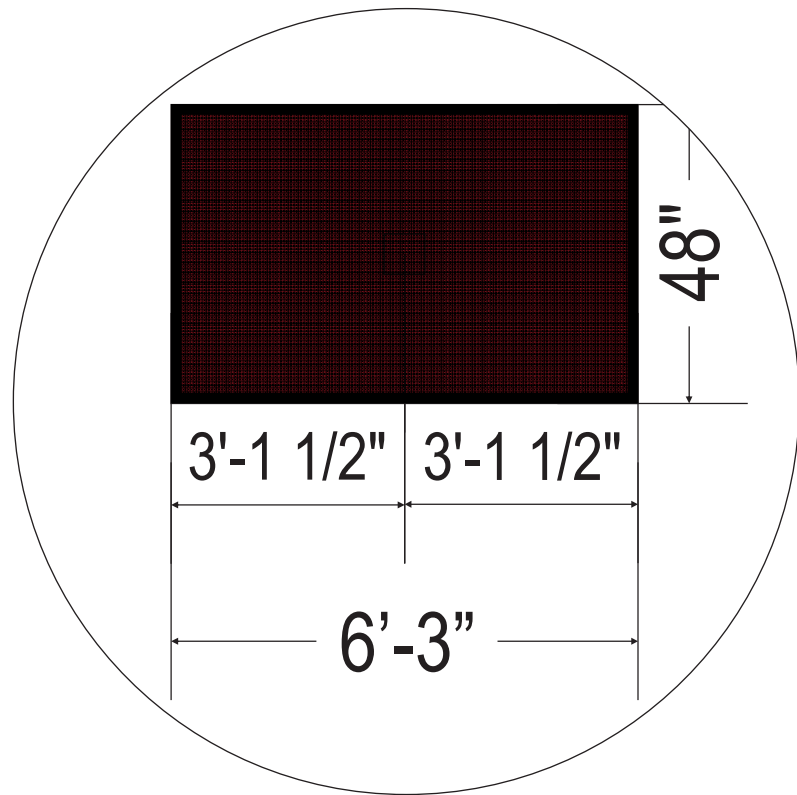
Drawn by: D.MADDEN	Scale: NOTED	Weight: TBD	Area: NOTED	Sides: TBD	Client Signature:	Qty:	Client: Tim Hortons COFFEE & BAKERY	Phone: 855-346-9898		Phone: 417-831-7570	
Title: 36" CHANNEL LETTERS W/ SUBSIGN					Signature Date:						





USED TO IDENTIFY
CENTER POINT OF
CANOPY

*SEE CANOPY DRAWING FOR
DETAILS & LOCATION OF LIGHTING

DETAIL A



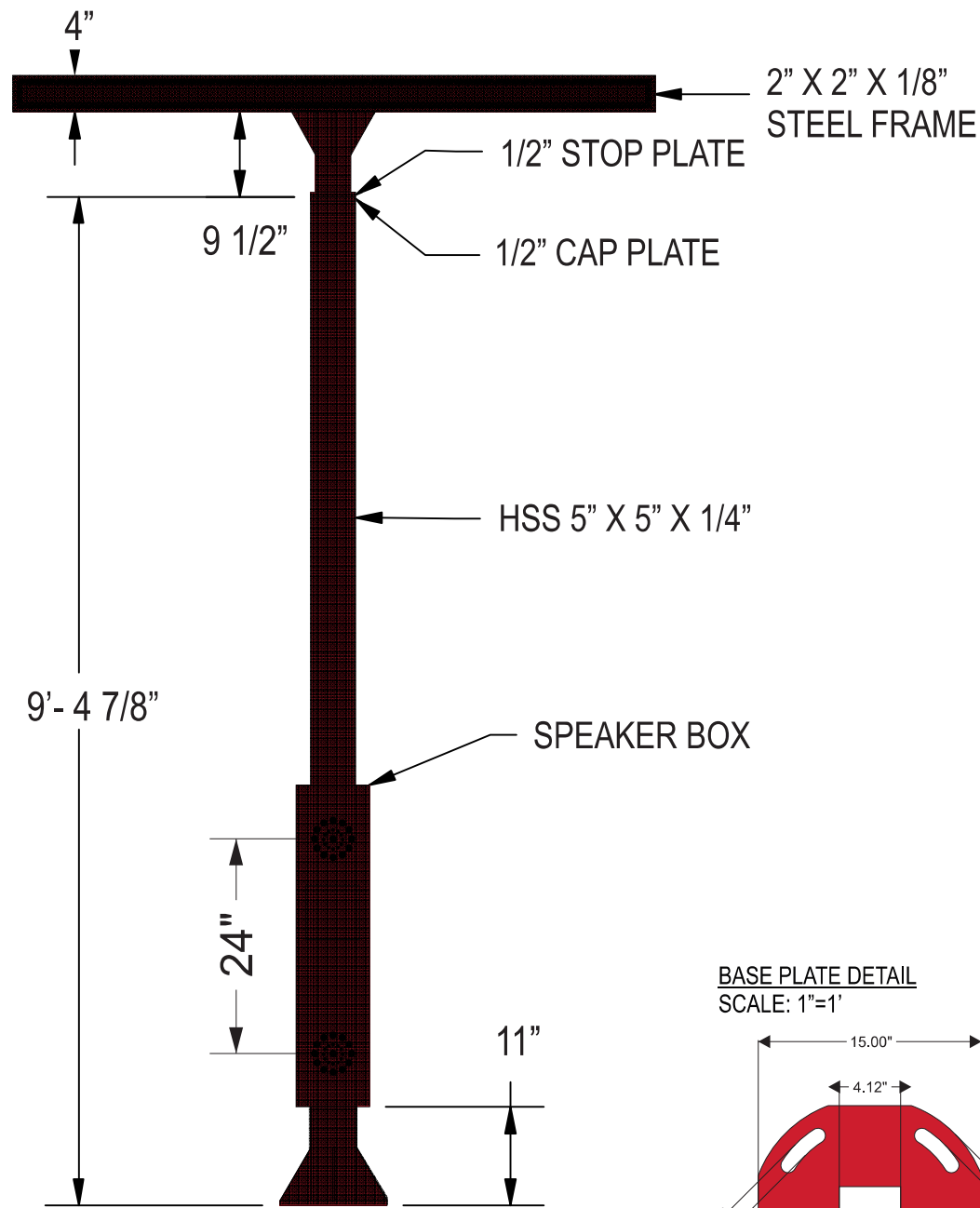
Drawn by: D.MADDEN	Scale: NOTED	Weight: TBD	Area: TBD	Sides: TBD	Client Signature:	Qty:	Client: <i>Tim Hortons</i> COFFEE & BAKERY	Phone: 855-346-9898			Phone: 417-831-7570
Title: CANOPY LAYOUT					Signature Date:						

N6 FRONT VIEW
SCALE: 1:20

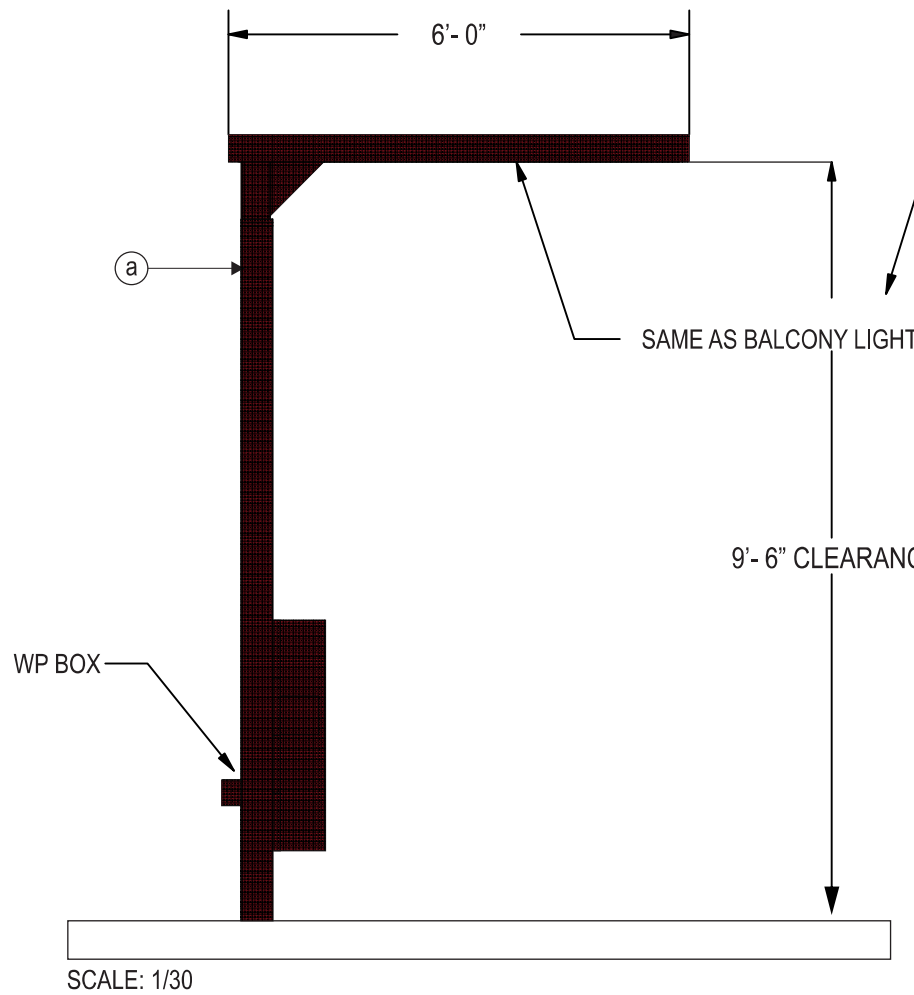
Exhibit "E"
Page 3 of 4
QTY: 2
AREA: TBD

ELECTRICAL INFORMATION
This Sign To Be Constructed And Installed According To Article Code 250 & 600 Of Nec, Grounding And Bonding Of Sign As Per Nec 250
Power Supply Info.
(qty) Sloan power supply
Variable Input: 100VAC-277VAC 50-60 Hz Max 0.80A
Output: 60W @ 12VDC, Class 2
LED Info.
(qty) Sloan led (red)
.30 watts / module (totals)
LISTED

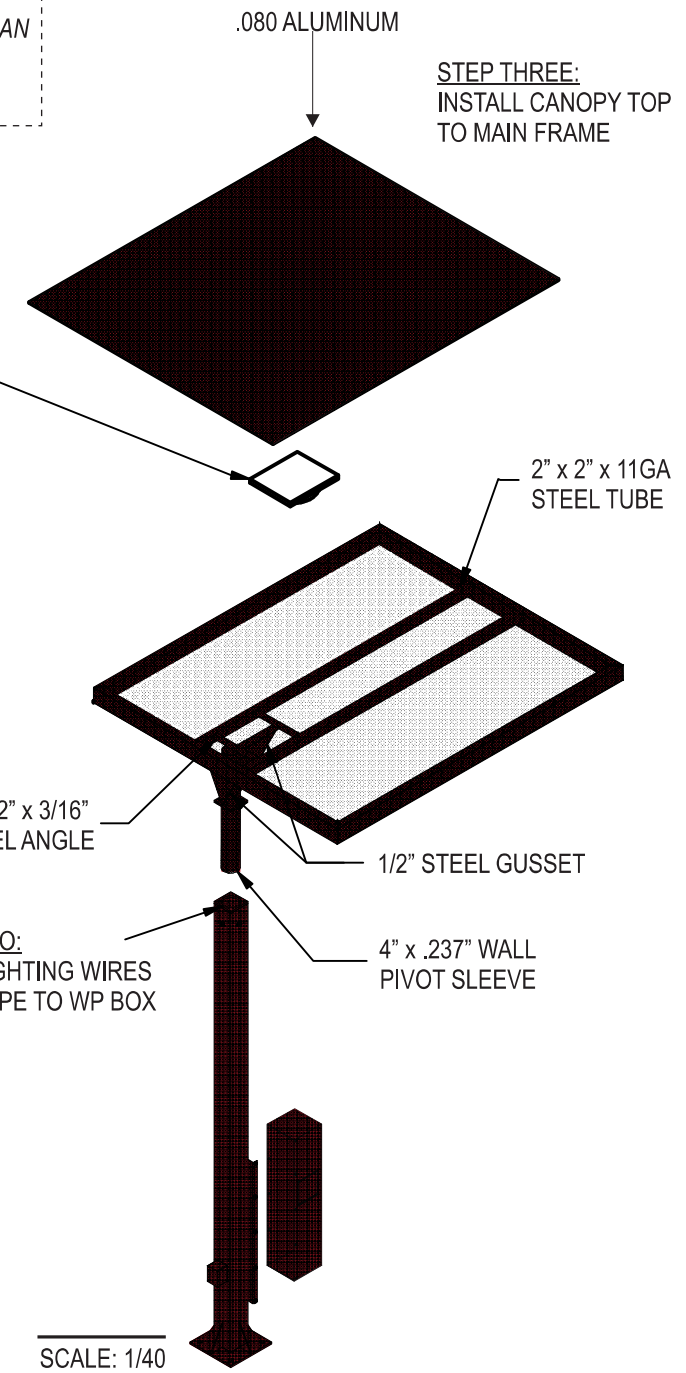
COLOR CALLOUTS
a #2415 RED (PMS 186)
b GLOSS BLACK



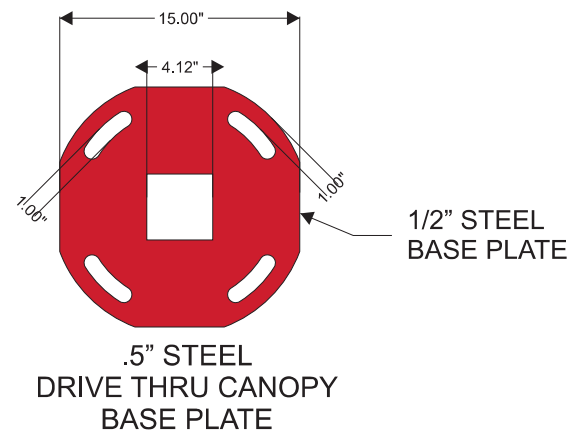
FRONT VIEW
SCALE: 1:20



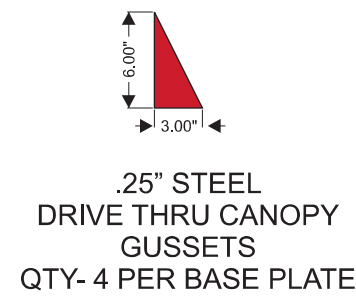
C-LIT - POSTER BOX SLOAN
WET LOCATION - 35W
4900 LUMEN 5000K
COOL WHITE



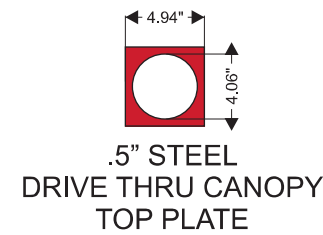
BASE PLATE DETAIL
SCALE: 1"=1'



GUSSET DETAIL
SCALE: 1"=1'



TOP PLATE DETAIL
SCALE: 1"=1'



Drawn by: D.MADDEN	Scale: NOTED	Weight: TBD	Area: NOTED	Sides: TBD
-----------------------	-----------------	----------------	----------------	---------------

Client Signature:
Signature Date:

Qty:

Client:
Tim Hortons
COFFEE & BAKERY

Phone:
855-346-9898

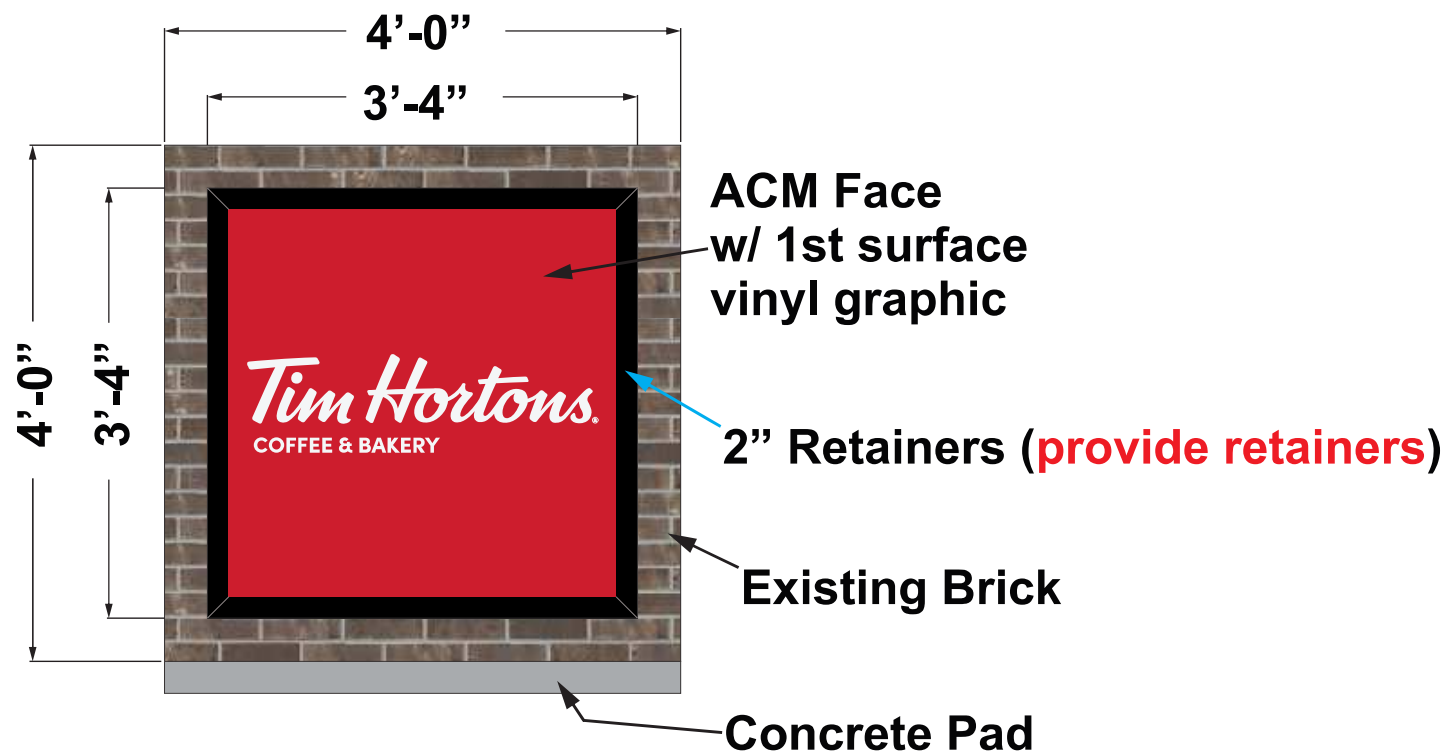


Phone:
417-831-7570

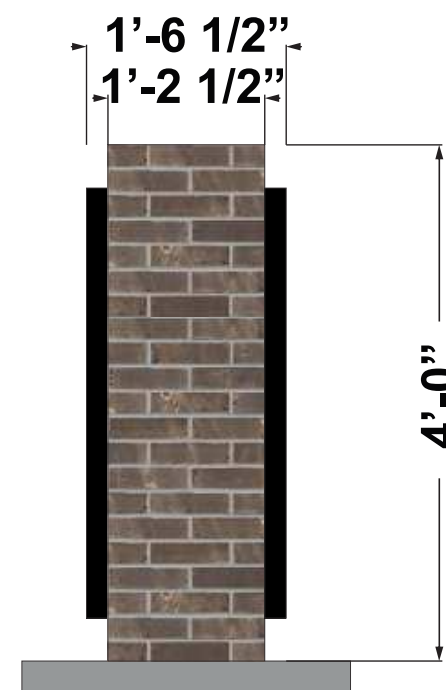
Title:
DT MENU CANOPY

The data in this document incorporate proprietary rights of Elemoose. Any party accepting this document does so in confidence and agrees that it shall not be duplicated, in whole or in part, nor disclosed to others without written consent of Elemoose.




Front / Rear View



Side View



Graphic Colors

	3630-33 Red
	White Arlon
	Black Satin



Solar Lights Outdoor, Waterproof Solar Spotlight
Solar Lights Outdoor, Waterproof Solar Spotlight
Auto On/Off, Cool White (2 Pack)
Cool White (2 Pack)

Ground Lights



902 NW Main St.
Bunkie, LA 71322
capitalsignco.com
318-346-9898

Location:
Coppell, TX

Designed By:
M.Carreno
Date:
5-11-2023

Quantity:
2 Faces
Page #:
1 of 1

Notes
No internal lighting, Just ground lighting provided by installers

Client Signature

The data in this document incorporate proprietary rights of Capital Sign & Awnings Any Party accepting this document does so in confidence and agrees that it shall not be duplicated, in whole or in part, nor disclosed to others without written consent of Capital Signs & Awnings.